

VOLTEX[®]

SWITCHGEAR

12
YEAR WARRANTY



- RCD Protected Outlets
- IP66 Plugs
- Extensions sockets
- Surface Switch
















1300 722 275 F: 1300 738 717
www.cableloc.com

CABLE-LOC
ELECTRICAL ACCESSORIES

RCD Protected Outlets with switch

RCD Protected Outlets are safety modules that can prevent shock electrocution in industrial environments. The primary function of the RCD is to monitor at all times the current flow in an electrical installation and, in case of an emergency, it will enable a disconnection of the power. These products are an essential part of any industrial environment where work safety is an issue.

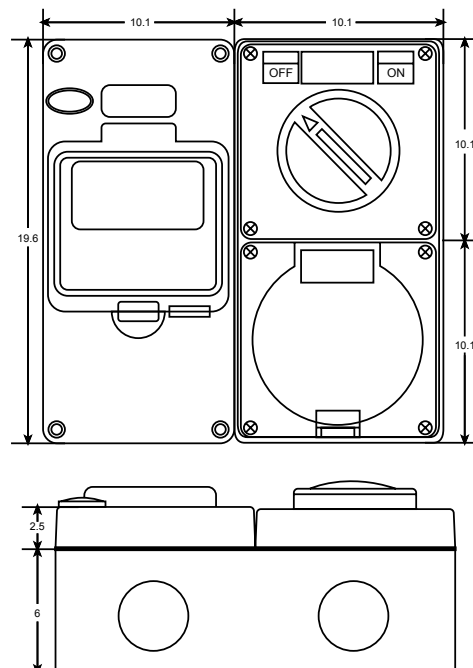
RCD Protected Outlets with switch

Reference	Volts	Amp	Pin No	Socket Conf.
C66SC310RC	250	10	3	
C66SC315RC	250	15	3	
C66SC332RC	250	32	3	
C66SC410RC	500	10	4	
C66SC420RC	500	20	4	
C66SC432RC	500	32	4	
C66SC440RC	500	40	4	
C66SC450RC	500	50	4	
C66SC510RC	500	10	5	
C66SC520RC	500	20	5	
C66SC532RC	500	32	5	
C66SC540RC	500	40	5	
C66SC550RC	500	50	5	



Certificate no:
SAA100328,
V090548, V08089

Dimensions













RCD Protected Outlets

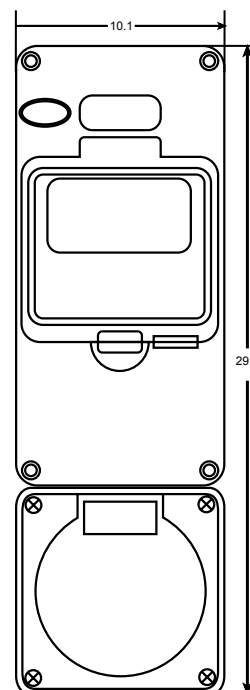
RCD Protected Outlets are safety modules that can prevent shock electrocution in industrial environments. The primary function of the RCD is to monitor at all times the current flow in an electrical installation and, in case of an emergency, it will enable a disconnection of the power. These products are an essential part of any industrial environment where work safety is an issue.



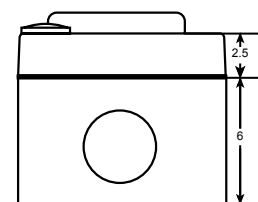
Certificate no:
SAA100328,
V090548, V08089

RCD Protected Outlets

Reference	Volts	Amp	Pin No	Socket Conf.
C66C310RC	250	10	3	
C66C315RC	250	15	3	
C66C410RC	500	10	4	
C66C420RC	500	20	4	
C66C432RC	500	32	4	
C66C440RC	500	40	4	
C66C510RC	500	10	5	
C66C520RC	500	20	5	
C66C532RC	500	32	5	
C66C540RC	500	40	5	



Dimensions



IP66 Plugs

Voltex Industrial switchgear has an extensive range of IP66 straight and angle plugs. Made with high impact resistant materials, these plugs also have a transparent polycarbonate body that allows instant examination of connections. They can be unscrewed and tightened with ease, even when hands are gloved.

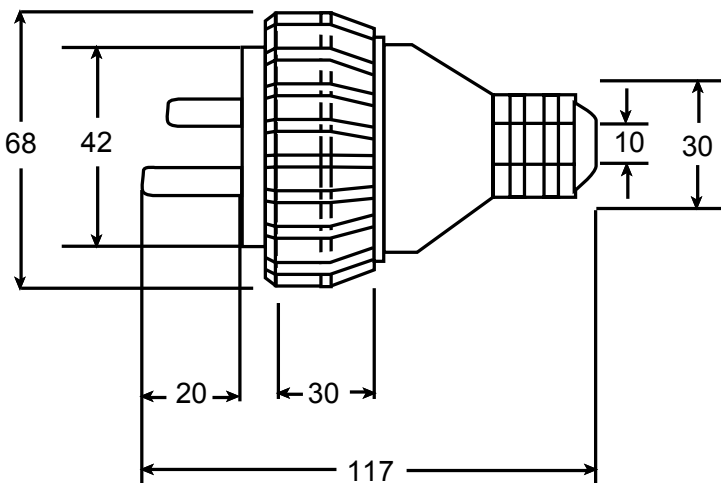


250V 3 Flat Pin

Rating	Product Code
10A	C66P310
15A	C66P315GY



International Protection Rating **IP66**



SPECIFICATIONS

- Industrial strength power plugs for dusty or wet conditions
- Extensive range of plugs are available in straight or angled for best access
- Polycarbonate body that is extremely durable
- Transparent areas allow examination of connections
- Head screws made of stainless steel for corrosion resistance and can be tightened or unscrewed easily

IP66 Straight Plugs

Voltex extension sockets are made with PVC -UV stabilized material and have a high resistant rubber insulation. They are suitable for applications where power is needed in hard to reach places.



3 Round Pins

Rating	Product Code
250V 20A	C66P320
250V 32A	C66P332

4 Round Pins

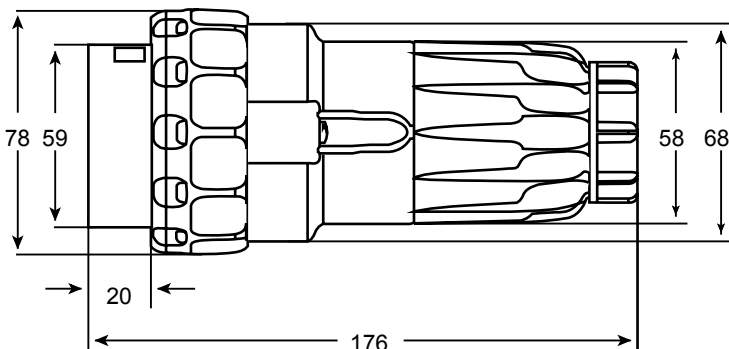
Rating	Product Code
500V 10A	C66P410
500V 20A	C66P420
500V 32A	C66P432
500V 40A	C66P440
500V 50A	C66P450

5 Round Pins

Rating	Product Code
500V 10A	C66P510
500V 20A	C66P520
500V 32A	C66P532
500V 40A	C66P540
500V 50A	C66P550



International Protection Rating **IP66**



SPECIFICATIONS

- Industrial strength power plugs for dusty or wet conditions
- Extensive range of plugs are available in straight or angled for best access
- Polycarbonate body that is extremely durable
- Transparent areas allow examination of connections
- Head screws made of stainless steel for corrosion resistance and can be tightened or unscrewed easily

IP66 Angle Plugs

Voltex extension sockets are made with PVC -UV stabilized material and have a high resistant rubber insulation. They are suitable for applications where power is needed in hard to reach places.



4 Round Pins

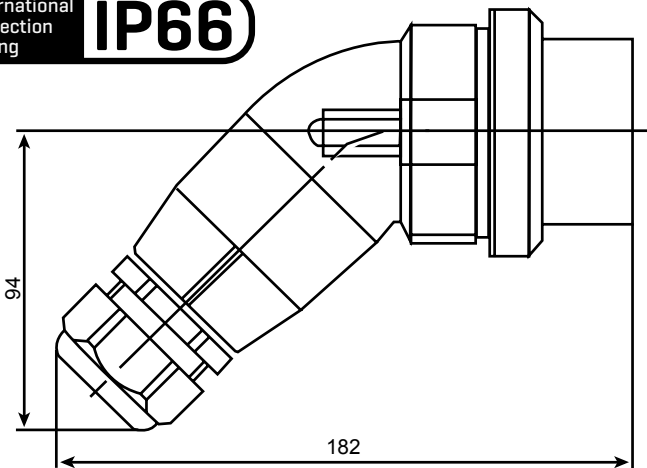
5 Round Pins



Rating	Product Code
500V 10A	C66PA410
500V 20A	C66PA420
500V 32A	C66PA432
500V 40A	C66PA440
500V 50A	C66PA450

Rating	Product Code
500V 10A	C66PA510
500V 20A	C66PA520
500V 32A	C66PA532
500V 40A	C66PA540
500V 50A	C66PA550

International Protection Rating **IP66**



SPECIFICATIONS

- Industrial strength power plugs for dusty or wet conditions
- Extensive range of plugs are available in straight or angled for best access
- Polycarbonate body that is extremely durable
- Transparent areas allow examination of connections
- Head screws made of stainless steel for corrosion resistance and can be tightened or unscrewed easily

Extension Sockets

Voltex extension sockets are made with PVC -UV stabilized material and have a high resistant rubber insulation. They are suitable for applications where power is needed in hard to reach places.



250V 3 Flat Pin

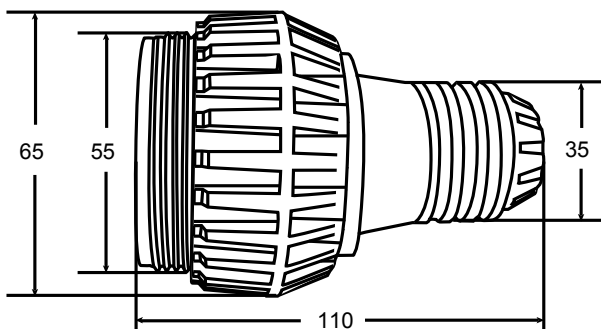
Rating Product Code

10A C66CSC310

15A C66CSC315



International
Protection
Rating **IP56**



SPECIFICATIONS

IP56 waterproof grade

UV resistance

Volts: 250

Amp: 10 or 15

Pin No: 3 Flat

Approval No: SAA100327

Extension Sockets

Voltex extension sockets are made with PVC -UV stabilized material and have a high resistant rubber insulation. They are suitable for applications where power is needed in hard to reach places.



500V 3 Pin

Rating Product Code

20A C66CSC320

32A C66CSC332

SPECIFICATIONS

UV resistance

Volts: 500

Amp: 20 / 32

Pin No: 3



500V 4 Pin

Rating Product Code

10A C66CSC410

20A C66CSC420

32A C66CSC432

SPECIFICATIONS

UV resistance

Volts: 500

Amp: 10 / 20 / 32

Pin No: 4



500V 5 Pin

Rating Product Code

10A C66CSC510

20A C66CSC520

32A C66CSC532

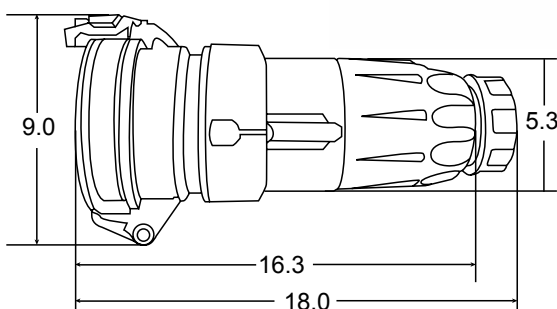
SPECIFICATIONS

UV resistance

Volts: 500

Amp: 10 / 20 / 32

Pin No: 5

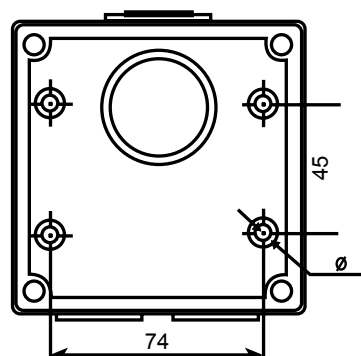
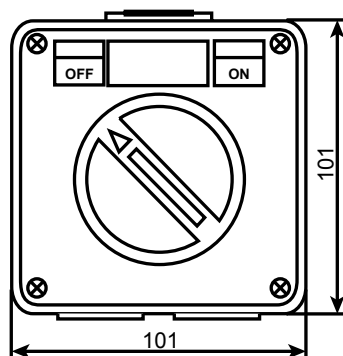


IP56 Surface Switch

Built with high resistance materials, the IP56 switches from Voltex comply with industry standards. The cover is made of highly durable polycarbonate plastic. They come with an on/off padlock and have clear markings on the front cover.

IP56 Surface Switch

Rating	Product Code
1 Pole 250V 20A	C66SW120
3 Pole 500V 32A	C66SW332
3 Pole 500V 63A	C66SW363



SPECIFICATIONS

Type: 1 pole

Volts: 250

Amp: 20

M Rating: 100

Switched Socket Outlet

Three Phase 4/5 Round Pin 10A
C66C410 / C66C510

A full combination in one piece of a surface switch and an socket outlet in a PVC mounting box. Specially designed for industrial infrastructures.



Clear switch position indicator with durable raised letters

Rotary ON/OFF switch with non-slip rubber-lining

Durable transparent socket cover for easy visibility



TECHNICAL SPECIFICATIONS

VOLTS	500V
AMPS	10A
PIN NO.	4 Round Pins / 5 Round Pins
AUSTRALIAN STANDARD	AS/NZS3112:2004+A1:2006 and AS/NZ4417
APPROVAL NO.	SAA100328 / A/11553E